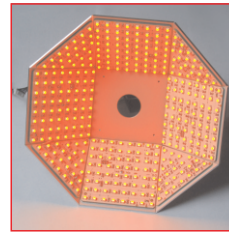


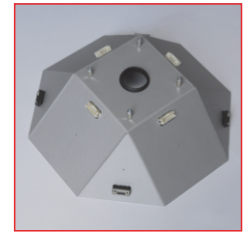
## OCTAGON-L

## Dome light

- >> high power
- >> light from a large solid angle
- >> optional segment control (4 or 8 channels)
- >> for continuous, switched and pulsed operation (depending on type)



OCTAGON-L red



OCTAGON-L exterior view

### Technical specifications



Housing	Aluminium, natural anodised
Total weight	approx. 375g
Operating / ambient temperature	max. 50°C recommended
IP protection class	depending on the version
Connector	8x JST connector (6-pin)
Supply voltage**	<b>24VDC type or 12VDC type:</b> 24VDC resp. 12VDC <b>SC type:</b> For use in conjunction with a controller
Number of LEDs	352
LED lifetime	The LED lifetime of our lights is very high, but depends on many different factors such as ambient temperature, current load, and so on. Further information is available in the <b>Technical information LED lifetime</b> .

\* Cable not included in the scope of supply  
\*\* more information see section Operating modes

### Characteristics

Colour *	LED characteristics		typical characteristics per light		
	Wavelength (approx.)	Viewing angle	Current demand (24V type) ** / constant current max. (SC type) [mA]	Pulse current max. (SC type) *** [A]	Intensity **** [W/m <sup>2</sup> ]
red	635nm	120°		4,4	
white	6500K	120°		4,4	
IR	850nm	120°		17,6	

- \* other colours and types from UV to infrared on request
- \*\* stated current values of the 24V types should be considered approximate values
- \*\*\* depending on the strobe conditions, recommended maximum values for a flash time of 1ms
- \*\*\*\* approximately data measured in DC mode; Measuring distance 10mm below housing



#### Safety note!

LED light systems can produce very intense radiation, which may possibly damage the eyes on improper use. Do not look directly into the light beam with unprotected eyes! Use eye protection!

### Operating modes

#### 24VDC type / 12VDC type

The lights are designed depending on the version for continuous operation at 24VDC or 12VDC. The following operating modes are possible:

- DC operation at an appropriate power supply with 24VDC or 12VDC
- Switched operation with a matching power supply e.g. via PLC, opto-relay or controller (GS or SC series)
- Brightness-controlled operation via controller (GS or SC series) in conjunction with suitable power supply
- Pulsed mode via controller (GS or SC series) in conjunction with suitable power supply. The LED current can be increased in pulse mode up to a factor of 2 to 3.

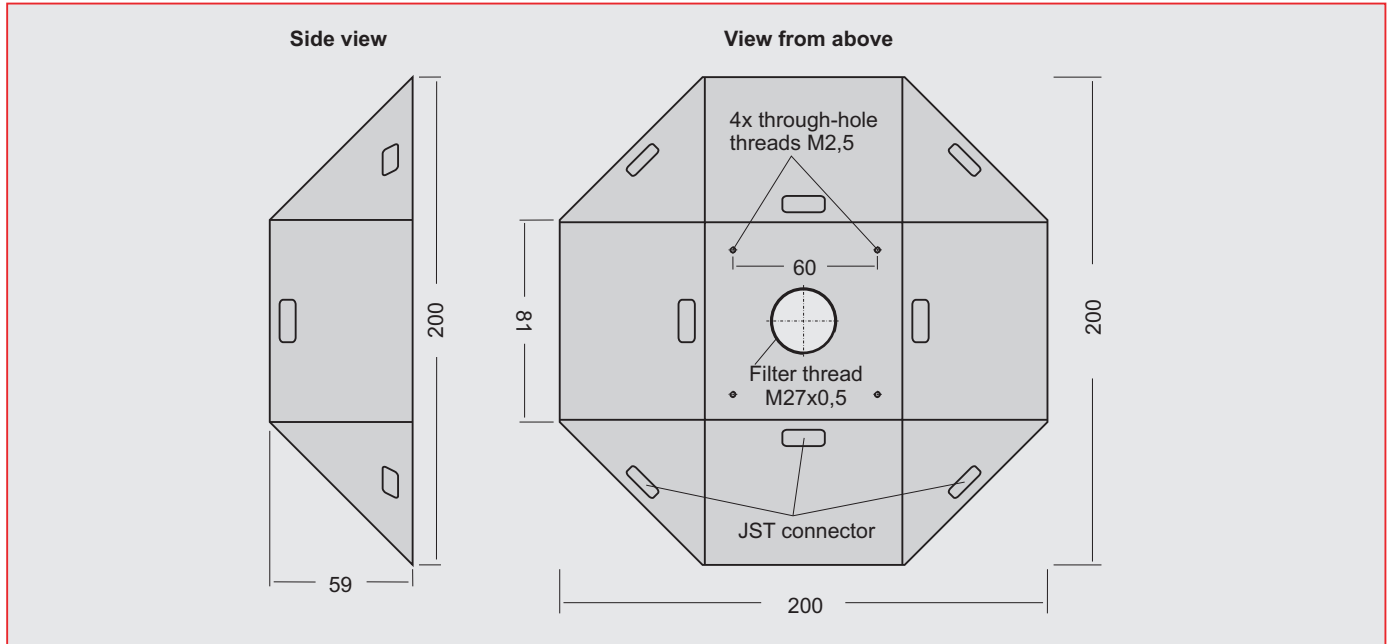
#### SC type

For pulsed, switched or brightness-controlled operation, the lights are also available as optimized SC versions. They can be used in combination with our controllers of the GS and SC series and provide optimized and maximum current flow, especially in pulsed operation. We will assist you in selecting the right components.

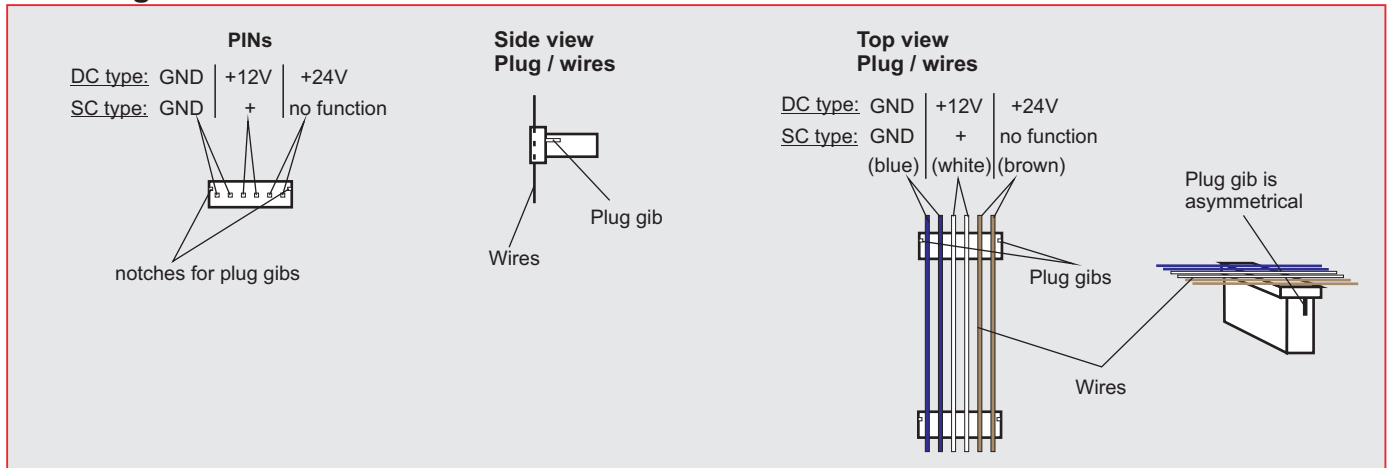
#### Büchner Lichtsysteme GmbH

Uzstrasse 2      Tel.: +49 (0)8293 | 909 112      E-mail: info@buechner-lichtsysteme.de  
86465 Welden      Fax: +49 (0)8293 | 909 111      Web: www.buechner-lichtsysteme.de  
Germany      [www.imaging-light-technology.com](http://www.imaging-light-technology.com)

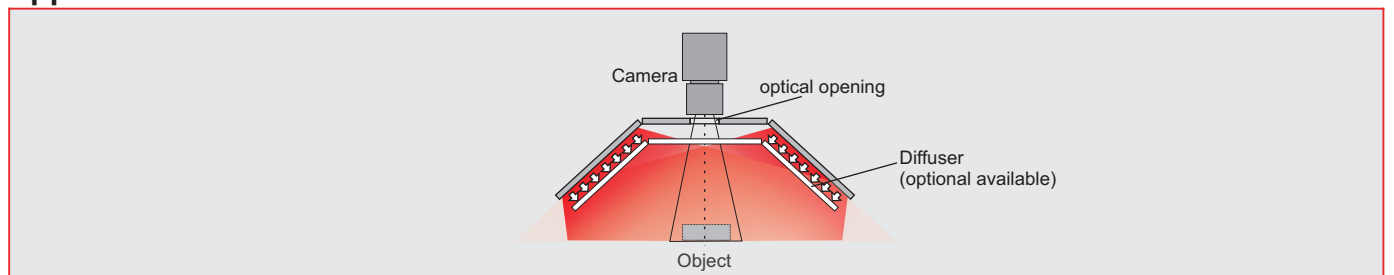
### Dimensions



### PIN assignment connector



### Application notes



technical changes reserved

**Büchner Lichtsysteme GmbH**

Uzstrasse 2  
 86465 Welden  
 Germany

Tel.: +49 (0)8293 | 909 112  
 Fax: +49 (0)8293 | 909 111

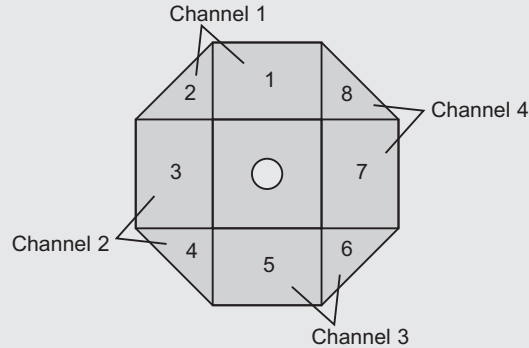
E-mail: info@buechner-lichtsysteme.de  
 Web: www.buechner-lichtsysteme.de

www.imaging-light-technology.com

IMAGING LIGHT TECHNOLOGY  
**BÜCHNER**

### Options

Optionally the OCTAGON-L can be configured so its 8 light fields can be controlled separately in the 4- or 8-Channel-Operation. In the 4-Channel-Operation always one rectangular and the neighbouring triangular light field is merged to one channel.

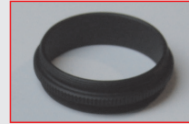


### Accessories



#### Front covers / diffusers

Through the use of different diffuse front covers, the optical characteristics of the illumination can be changed. More information can be found in the **Technical information Front materials**.



#### Adapter ring

with male threads on both sides (2 times M27x0,5) for direct mounting of the OCTAGON-L at the filter thread of the lens. Other adapters and thread sizes on request.