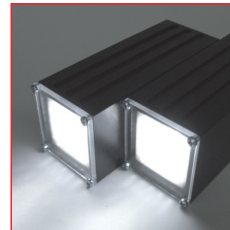


## MINI-SPOT

## Spot light

- >> compact Aluminium housing
- >> version as 24VDC type with integrated current control and wide input range or as SC/6V type
- >> available with different secondary optics
- >> for continuous, switched and pulsed operation (depending on type)



MINI-SPOT white



MINI-SPOT red

### Technical specifications



Housing	Aluminium, black or natural anodised
Front cover (within the scope of supply)*	Acrylic clear, antireflective coating 2mm
Totalweight	approx. 150g
Operating / ambient temperature	max. 50°C recommended
IP protection class	depending on the version
Connector	M8 plug (4-pin)**
Supply voltage***	<b>24VDC type:</b> 10 to 30VDC <b>SC/6V type:</b> For use in conjunction with a controller or direct at 6VDC
Number of LEDs	1 High-Power LED
LED lifetime	The LED lifetime of our lights is very high, but depends on many different factors such as ambient temperature, current load, and so on. Further information is available in the <b>Technical information LED lifetime</b> .

\* more information and further front covers see section Accessories

\*\* Cable not included in the scope of supply

\*\*\* more information see section Operating modes

### Characteristics

Colour *	LED characteristics		typical characteristics per light					
	Wavelength (approx.)	Secondary optic	Current demand (24V type) ** [mA]	Constant current max. (SC/6V type) [mA]	Pulse current max. (SC/6V type) *** [A]	Intensity *** [W/m <sup>2</sup> ]		
						Type N	Type M	Type W
red	617nm	N, M, W	40	300	1,7	95	15	8
white	6500K	N, M, W	45	300	1,9	100	14	7
IR	850nm	N, M, W	50	300	2,4	130	24	12

\* other colours and types from UV to infrared on request

\*\* stated current values of the 24V types should be considered approximate values

\*\*\* depending on the strobe conditions, recommended maximum values for a flash time of 1ms

\*\*\*\* approximately data measured in DC mode; Measuring distance 250mm



#### Safety note!

LED light systems can produce very intense radiation, which may possibly damage the eyes on improper use. Do not look directly into the light beam with unprotected eyes! Use eye protection!

### Operating modes

#### 24VDC type

The 24VDC type has an integrated current control with wide input range and is designed to operate at 10 to 30VDC.

The following operating modes are possible:

- DC operation at an appropriate power supply with 24VDC
- Switched operation with a matching power supply e.g. via PLC, opto-relay or controller (GS or SC series)

#### SC/6V type

For pulsed, switched or brightness-controlled operation, the lights are also available as optimized SC/6V versions. They can be used in combination with our controllers of the GS and SC series or directly at 6VDC and provide optimized and maximum current flow, especially in pulsed operation.

We will assist you in selecting the right components.

#### Büchner Lichtsysteme GmbH

Uzstrasse 2  
86465 Welden  
Germany

Tel.: +49 (0)8293 | 909 112  
Fax: +49 (0)8293 | 909 111

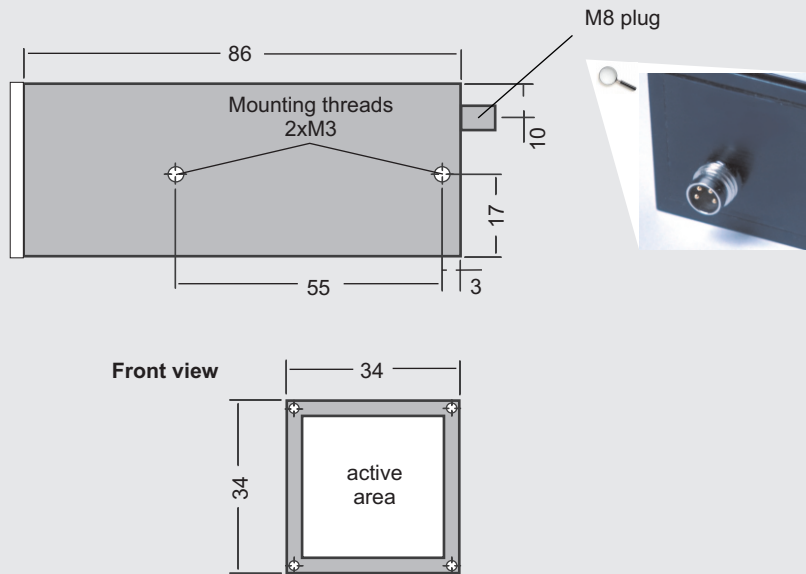
E-mail: info@buechner-lichtsysteme.de  
Web: www.buechner-lichtsysteme.de

www.imaging-light-technology.com

# MINI-SPOT

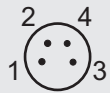
## Spot light

### Dimensions



### PIN assignment connector

M8 plug 4-pin  
(Front view on housing)



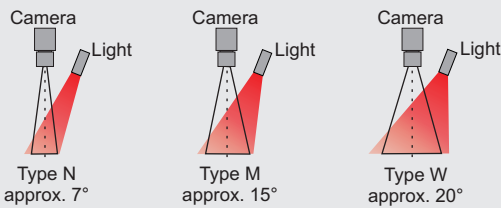
#### 24VDC type

PIN	Colour	Function
1	brown	+ (10-30V)
3	blue	-

#### SC/6V type

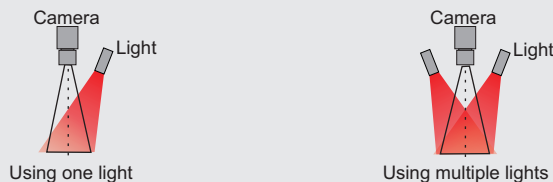
PIN	Colour	Function
4	black	+ resp. + 6V
3	blue	-

### Secondary optics



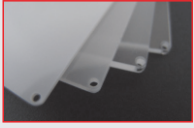
By using different secondary optics, the photometric properties of the lighting can be adapted to the respective application.

### Application notes (Incident light)



Light which hits the surface from a specific angle physically produces a slightly inhomogeneous light spot, depending on the inclination. By using a symmetrical arrangement of several lights this occurring intensity drop can be compensated and increases additionally the intensity in the field of view.

### Accessories



#### Front covers / diffusers

Through the use of different diffuse front covers, the optical characteristics of the illumination can be changed.

More information can be found in the **Technical information Front materials**.