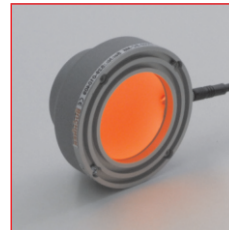


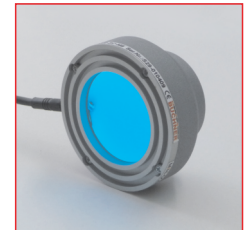
MINI-DOME-60-RGB

Dome light

- >> RGB version with separately controllable colors
- >> small, light, compact
- >> well-priced design
- >> extremely homogeneous, diffuse illumination
- >> for continuous, switched and pulsed operation (depending on type)



MINI-DOME-60-RGB
switched in red



MINI-DOME-60-RGB
switched in mixed colour

Technical specifications



Housing	high-quality plastic, Aluminium
Total weight	approx. 50g
Operating / ambient temperature	max. 50°C recommended
IP protection class	depending on the version
Connector	M5 plug (4-pin)*
Supply voltage**	24VDC type: 24VDC SC type: For use in conjunction with a controller
Number of LEDs	20
LED lifetime	The LED lifetime of our lights is very high, but depends on many different factors such as ambient temperature, current load, and so on. Further information is available in the Technical information LED lifetime .

* Cable not included in the scope of supply
** more information see section Operating modes

Characteristics

		LED characteristics		typical characteristics per light			
Colour *	Wavelength (approx.)	Viewing angle	Current demand (24V type) ** / constant current max. (SC type) [mA]			Intensity **** [W/m²]	
					Pulse current max. (SC type) *** [mA]		
RGB	red	630nm	120°	50 per colour max. 100 total		300 per colour	30
	green	530nm					28
	blue	470nm					67

* other colours and types from UV to infrared on request
** stated current values of the 24V types should be considered approximate values
*** depending on the strobe conditions, recommended maximum values for a flash time of 1ms
**** approximately data measured in DC mode; Measuring distance 5mm below housing



Safety note!

LED light systems can produce very intense radiation, which may possibly damage the eyes on improper use. Do not look directly into the light beam with unprotected eyes! Use eye protection!

Operating modes

24VDC type

The lights are designed depending on the version for continuous operation at 24VDC. The following operating modes are possible:

- DC operation at an appropriate power supply with 24VDC
- Switched operation with a matching power supply e.g. via PLC, opto-relay or controller (GS or SC series)
- Brightness-controlled operation via controller (GS or SC series) in conjunction with suitable power supply
- Pulsed mode via controller (GS or SC series) in conjunction with suitable power supply. The LED current can be increased in pulse mode up to a factor of 2 to 3.

SC type

For pulsed, switched or brightness-controlled operation, the lights are also available as optimized SC versions. They can be used in combination with our controllers of the GS and SC series and provide optimized and maximum current flow, especially in pulsed operation. We will assist you in selecting the right components.

technical changes reserved

Büchner Lichtsysteme GmbH

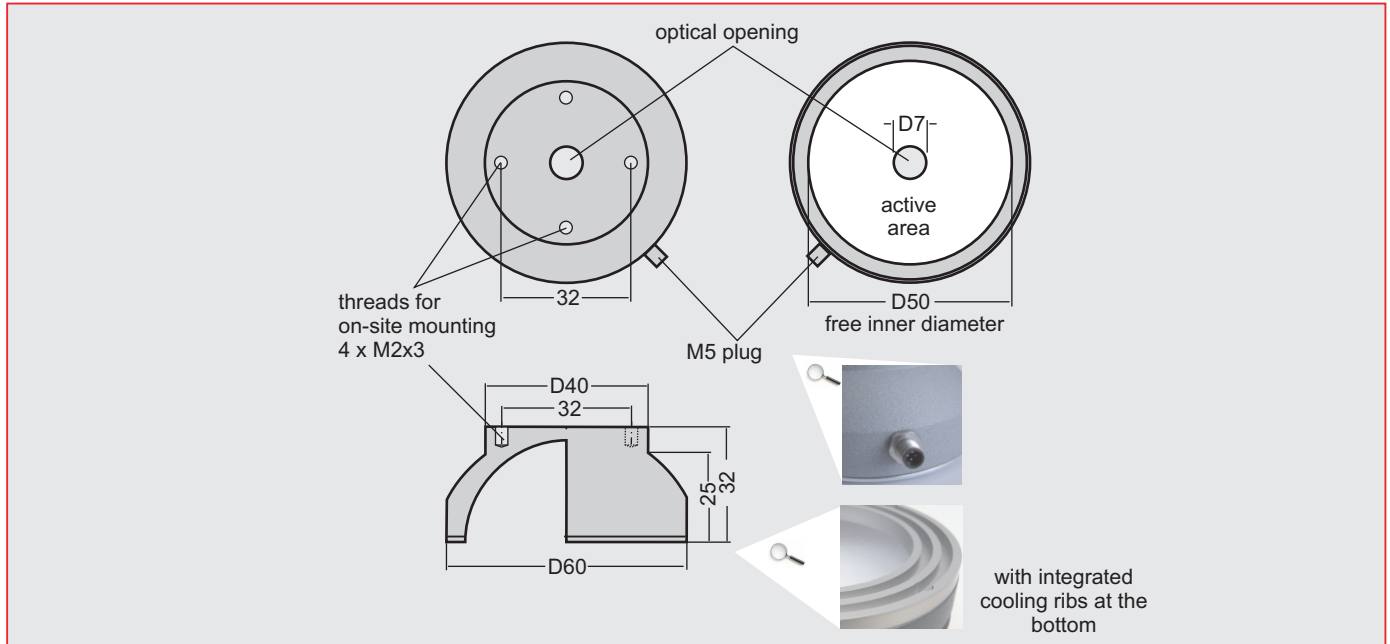
Uzstrasse 2 Tel.: +49 (0)8293 | 909 112 E-mail: info@buechner-lichtsysteme.de
86465 Welden Fax: +49 (0)8293 | 909 111 Web: www.buechner-lichtsysteme.de
Germany www.imaging-light-technology.com



MINI-DOME-60-RGB

Dome light

Dimensions



PIN assignment connector

M5 plug 4-pin
(Front view on housing)



Attention!
The pin assignment of the used M5 connector is not the standard assignment.

24VDC type

PIN	Colour	Function
4	black	- red
2	white	- green
3	blue	- blue
1	brown	+ 24V

SC type

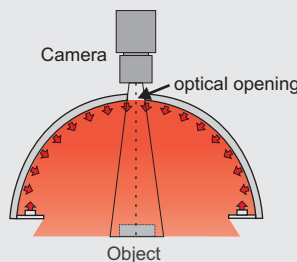
PIN	Colour	Function
1	brown	- red
2	white	- green
3	blue	- blue
4	black	+ common

Application notes

Dome application

The optical opening for the camera is located symmetrically on the top of the dome and has a diameter of 7mm. Other diameters on request!

The DOME is typically positioned close to the object.



Technical notes

The MINI-DOME-60-RGB is designed to be driven with up to 2 activated colours at the same time at full intensity and without any time limit.

Operation of the RGB version directly at 24V

By switching on and off the ground lines of the 3 single colors (RGB), the individual colors can be activated and mixed.

Continuous/pulsed operation of the RGB version with SC4, SC6 or GS 420

When using 3-channel operation with the listed controllers, any colour mixture can be realised by setting a particular current to the 3 channels (RGB), both in continuous and pulsed operation.