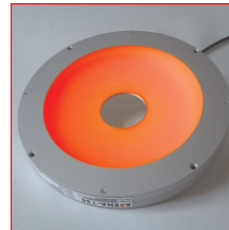


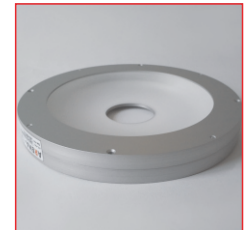
ARENA-130

Ring light

- >> large-size, extremely diffuse and bright ring light
- >> high homogeneity
- >> concave light output
- >> preferably for short to medium work distances
- >> connecting thread for coupling with lens filter threads
- >> optional segmentation (with 4 or 8 segments)
- >> optional two-coloured version available
- >> for continuous, switched and pulsed operation (depending on type)



ARENA-130 in red



ARENA-130

Technical specifications



Housing	Aluminium, natural anodised
Diffuser	concave shaped
Total weight	approx. 540g
Operating / ambient temperature	max. 50°C recommended
IP protection class	depending on the version
Connector	M8 plug (4-pin)* / 4-Channel-Operation: M8 plug (6-pin)* / 8-Channel-Operation: M12 plug (17-pin)*
Supply voltage**	24VDC type or 12VDC type: 24VDC resp. 12VDC SC type: For use in conjunction with a controller
Number of LEDs	128
LED lifetime	The LED lifetime of our lights is very high, but depends on many different factors such as ambient temperature, current load, and so on. Further information is available in the Technical information LED lifetime .

* Cable not included in the scope of supply
** more information see section Operating modes

Characteristics

Colour *	LED characteristics		typical characteristics per light		
	Wavelength (approx.)	Viewing angle	Current demand (24V type) ** / constant current max. (SC type) [mA]	Pulse current max. (SC type) *** [A]	Intensity **** [W/m ²]
red	615nm	120°	300	1,6	4
white	6500K	120°	520	4,0	10
IR	850nm	120°	450	6,4	
blue	470nm	120°	540	4,0	

- * other colours and types from UV to infrared on request
- ** stated current values of the 24V types should be considered approximate values
- *** depending on the strobe conditions, recommended maximum values for a flash time of 1ms
- **** approximately data measured in DC mode; Measuring distance 150mm



Safety note!

LED light systems can produce very intense radiation, which may possibly damage the eyes on improper use. Do not look directly into the light beam with unprotected eyes! Use eye protection!

Operating modes

24VDC type / 12VDC type

The lights are designed depending on the version for continuous operation at 24VDC or 12VDC. The following operating modes are possible:

- DC operation at an appropriate power supply with 24VDC or 12VDC
- Switched operation with a matching power supply e.g. via PLC, opto-relay or controller (GS or SC series)
- Brightness-controlled operation via controller (GS or SC series) in conjunction with suitable power supply
- Pulsed mode via controller (GS or SC series) in conjunction with suitable power supply. The LED current can be increased in pulse mode up to a factor of 2 to 3.

SC type

For pulsed, switched or brightness-controlled operation, the lights are also available as optimized SC versions. They can be used in combination with our controllers of the GS and SC series and provide optimized and maximum current flow, especially in pulsed operation. We will assist you in selecting the right components.

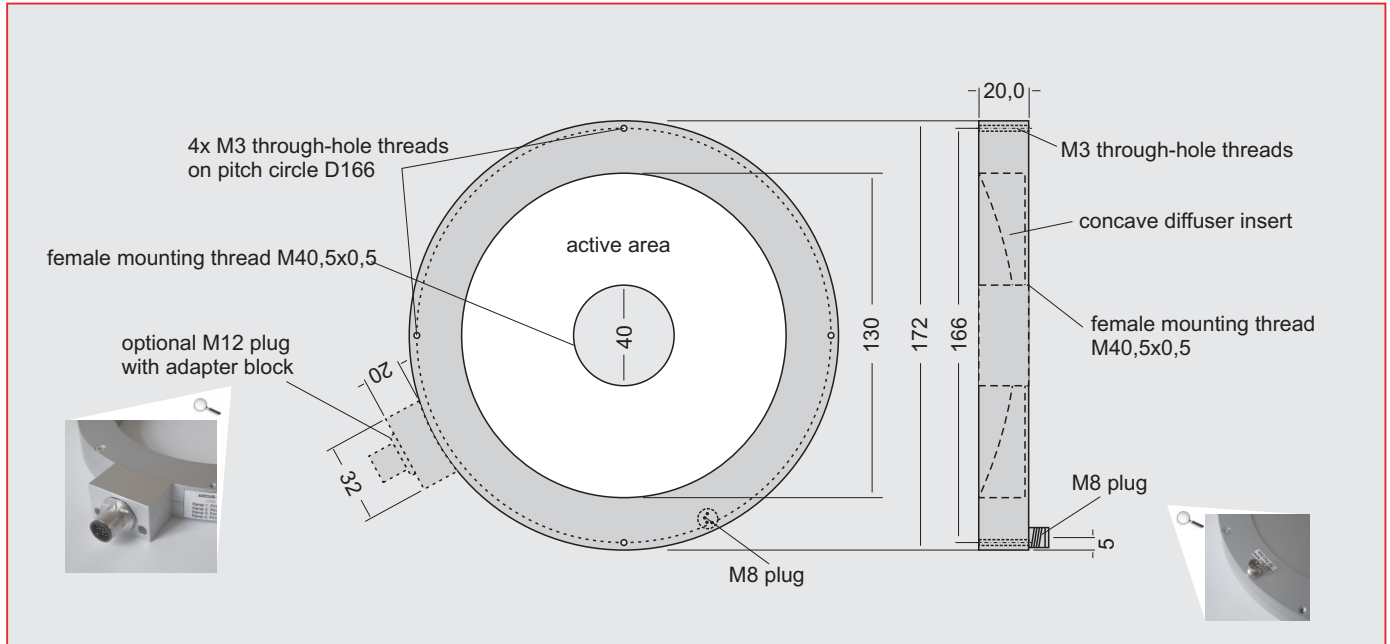
Büchner Lichtsysteme GmbH

Uzstrasse 2 Tel.: +49 (0)8293 | 909 112 E-mail: info@buechner-lichtsysteme.de
86465 Welden Fax: +49 (0)8293 | 909 111 Web: www.buechner-lichtsysteme.de
Germany www.imaging-light-technology.com

ARENA-130

Ring light

Dimensions



PIN assignment connector

M8 plug 4-pin
(Front view on housing)



24VDC type

PIN	Colour	Function
1	brown	+ 24V
3	blue	- (Ch. 1)
(4)	(black)	(- Ch. 2)

12VDC type

PIN	Colour	Function
2	white	+ 12V
3	blue	- (Ch. 1)
(4)	(black)	(- Ch. 2)

SC type

PIN	Colour	Function
4	black	+ common
3	blue	- (Ch. 1)
(2)	(white)	(- Ch. 2)

M8 plug 6-pin
(Front view on housing)



24VDC type

PIN	Colour	Function
1	brown	+ 24V
3	blue	- Ch. 1
4	black	- Ch. 2
5	grey	- Ch. 3
6	rose	- Ch. 4

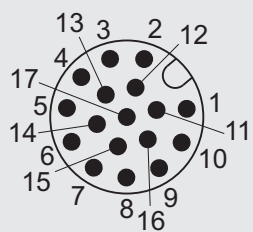
12VDC type

PIN	Colour	Function
2	white	+ 12V
3	blue	- Ch. 1
4	black	- Ch. 2
5	grey	- Ch. 3
6	rose	- Ch. 4

SC type

PIN	Colour	Function
4	black	+ common
3	blue	- Ch. 1
2	white	- Ch. 2
5	grey	- Ch. 3
6	rose	- Ch. 4

M12 plug 17-pin
(Front view on housing)



24VDC type

PIN	Colour	Function
17	white/grey	+ 24V
1	brown	- Ch. 1
2	blue	- Ch. 2
3	white	- Ch. 3
4	green	- Ch. 4
5	rose	- Ch. 5
6	yellow	- Ch. 6
7	black	- Ch. 7
8	grey	- Ch. 8

12VDC type

PIN	Colour	Function
		+ 12V
		- Ch. 1
		- Ch. 2
		- Ch. 3
		- Ch. 4
		- Ch. 5
		- Ch. 6
		- Ch. 7
		- Ch. 8

SC type

PIN	Colour	Function
		+ common
		- Ch. 1
		- Ch. 2
		- Ch. 3
		- Ch. 4
		- Ch. 5
		- Ch. 6
		- Ch. 7
		- Ch. 8

technical changes reserved

Büchner Lichtsysteme GmbH

Uzstrasse 2 Tel.: +49 (0)8293 | 909 112
 86465 Welden Fax: +49 (0)8293 | 909 111
 Germany

E-mail: info@buechner-lichtsysteme.de
 Web: www.buechner-lichtsysteme.de

www.imaging-light-technology.com



ARENA-130

Ring light

Versions / Options

Optionally the ARENA-130 can be equipped so that it can be controlled in 4 or 8 segments. For this purpose, appropriate connectors are installed.

Application notes (Incident light)

