

RONDO-C

Incident light
ring-shaped



- >> C-Mount thread
- >> high luminous intensity
- >> for short working distances with small field of view
- >> compact housing
- >> for continuous, switched and pulsed operation***



RONDO-C red



RONDO-C

Technical specifications

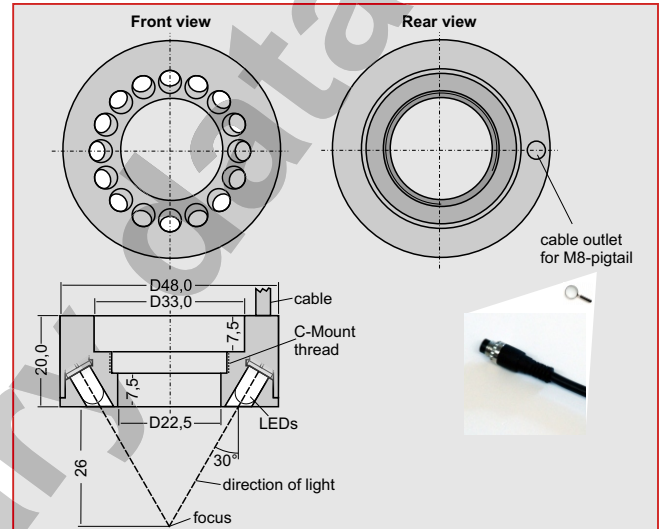
Housing	Aluminium, black anodized
Total weight	approx. 55g
Operating / ambient temperatur	max. 50°C recommended
Service life of LEDs (at 25°C):	
red / IR	approx. 50.000 - 100.000 h
white / blue	approx. 10.000 - 15.000 h
Connector	M8-plug (4-pole) on pigtail
Number of LEDs	16

Characteristics

Colour *	typical LED characteristics		typical light characteristics	
	Wavelength (approx.)	Viewing angle	Current (24VDC)	Intensity ** (DC operation)
red	625nm	15°	< 30 mA	ca. 600 W/m ²
white	x:0,32/y:0,31	15°	< xx mA	ca. xx W/m ²
IR	850nm	6°	< xx mA	ca. xx W/m ²
IR	880nm	16°	< xx mA	ca. xx W/m ²

* other colours (e.g. blue, green etc.) and viewing angles (e.g. 30°) on request
 ** Measuring surface: centric, Measuring distance: 26 mm

Dimensions



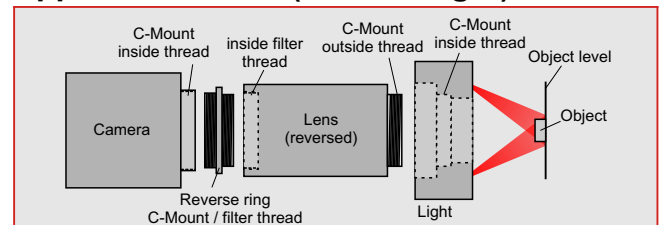
Operating methods

The lighting is designed for operation with 24VDC. The following operating modes are possible:

- continuous operation using a 24VDC power supply
- switched operation using a 24V power supply via e.g. PLC, opto relay or light controller (GS-series, SC-series with 24V power supply)
- brightness controlled operation via additional controller (SC-series or GS-series with 24V power supply)
- pulsed operation via additional controller (SC-series with 24V power supply or GS-series with 48V power supply). In this combination the operating current in pulsed mode can be raised by a factor of approx. 2-3.

*** For solely pulsed operation the lights are optional also available as optimized pulsed versions (SC-type) for higher pulse currents. They can be used in combination with controllers of the GS- or SC-series with 24V power supplies and allow a maximum of current feed. More information on request.

Application notes (incident light)



The RONDO-C is designed for small fields of view in macro applications and short working distances. It can be combined with e.g. standard lenses (25mm) in reverse position. By using a reverse ring the lens can be mounted reversed via the filter thread on the camera and the RONDO-C directly on the C-Mount thread of the lens.

Order numbers

Order number	Unit	Description
S170-62501599-24-M8	Piece	RONDO-C red 625nm 15° 24VDC M8
S170-CWS01599-24-M8	Piece	RONDO-C white 15° 24VDC M8
S170-85000699-24-M8	Piece	RONDO-C IR 850nm 6° 24VDC M8
S170-88001699-24-M8	Piece	RONDO-C IR 880nm 16° 24VDC M8
Accessories	Unit	Description
S-0060	Piece	Reverse ring C-Mount to M27x0,5

More accessories in our accessories catalog.

Accessories



Reverse ring C-Mount to M27x0,5 for reverse mounting of lenses on cameras with C-Mount thread

technical changes reserved



Safety precautions!

LED light systems can produce very intense radiation, which may damage human eyes on improper usage. Do not look directly into the light beam with unprotected eyes! Use eye protection!

Büchner Lichtsysteme GmbH

Büschelstraße 8a Tel.: +49 (0)8293 | 909 112
 D-86465 Welden Fax: +49 (0)8293 | 909 111

E-mail: info@buechner-lichtsysteme.de
 Web: www.buechner-lichtsysteme.de

www.imaging-light-technology.com

IMAGING LIGHT TECHNOLOGY
BÜCHNER