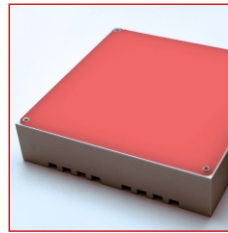


HI-LIGHT-80

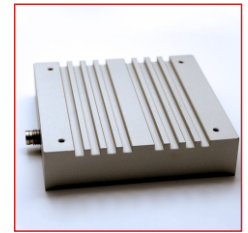
Backlight
quadratic



- >> high quality model
- >> well-priced
- >> high homogeneity
- >> efficient thermal design
- >> easy mounting
- >> for continuous, switched and pulsed operation***



HI-LIGHT-80 red



HI-LIGHT-80 housing
with integrated cooling ribs

Technical specifications

Housing	Alu milled, shot-peened, natural anodized
Front cover (incl. in delivery)	Acrylic 2mm diffuse (Material 060)
Total weight	approx. 180g
Operating / ambient temp.	max. 50°C recommended
Service life of LEDs (at 25°C):	
red / IR	approx. 50.000 - 100.000 h
white	approx. > 20.000 h
Connector	M8 plug (4-pole)
Number of LEDs	64

Characteristics

	typical LED characteristics	typical light characteristics	
Colour *	Wavelength (approx.)	Current (24VDC)	Intensity ** (DC operation)
HB red	635nm	~ 160 mA	approx. 30 W/m ²
HB white	x:0,32/y:0,31	~ 220 mA	approx. 60 W/m ²
HB IR	850nm	~ 240 mA	approx. 130 W/m ²

* other colours and types on request

** Measuring surface: centered, directly on diffusor

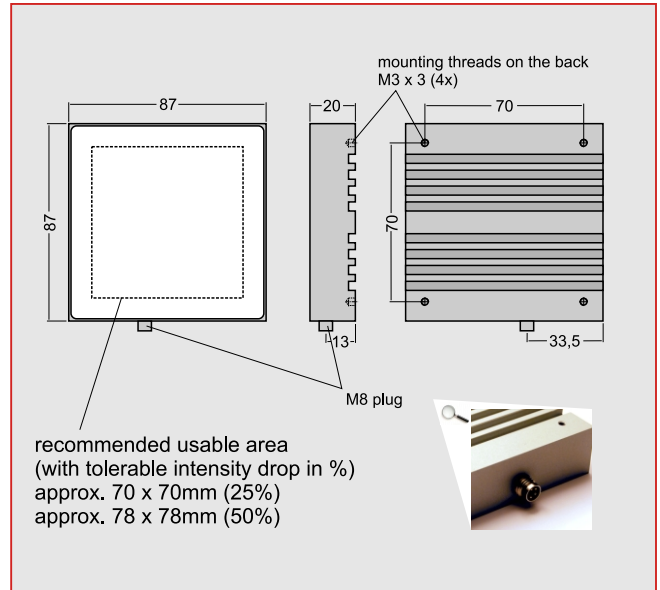
Operating methods

The lighting is designed for operation with 24VDC. The following operating modes are possible:

- continuous operation using a 24VDC power supply
- switched operation using a 24V power supply via e.g. PLC, opto relay or light controller (GS-series, SC-series with 24V power supply)
- brightness controlled operation via additional controller (SC-series or GS-series with 24V power supply)
- pulsed operation via additional controller (SC-series with 24V power supply or GS-series with 48V power supply). In this combination the operating current in pulsed mode can be raised by a factor of approx. 2-3.

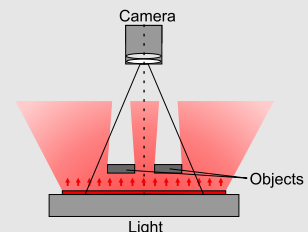
*** For solely pulsed operation the lights are optional also available as optimized pulsed versions (SC-type) for higher pulse currents. They can be used in combination with controllers of the GS- or SC-series with 24V power supplies and allow a maximum of current feed. More information on request.

Dimensions



Application notes

Backlight application



Order numbers

Order number	Description
S196-635120HB-24-M8	HI-LIGHT-80 HB red 635nm 24VDC with M8
S196-WLM120HB-24-M8	HI-LIGHT-80 HB white 24VDC with M8
S196-850120HB-24-M8	HI-LIGHT-80 HB IR 850nm 24VDC with M8

More accessories in our accessories catalogue.

technical changes reserved



Safety precautions!

LED light systems can produce very intense radiation, which may damage human eyes on improper usage. Do not look directly into the light beam with unprotected eyes! Use eye protection!

Büchner Lichtsysteme GmbH

Büschelstraße 8a Tel.: +49 (0)8293 | 909 112
D-86465 Welden Fax: +49 (0)8293 | 909 111

E-mail: info@buechner-lichtsysteme.de
Web: www.buechner-lichtsysteme.de

www.imaging-light-technology.com

IMAGING LIGHT TECHNOLOGY
BÜCHNER